

# Apollo Custom Manufacturing Ltd. Basic Layout of Apollo Food Trucks & Trailers



@ApolloCarts



facebook.com/ApolloCarts

We test to the following Standards



CSA B149.1-10



SPE 1000

Apollo Custom Manufacturing Ltd  
12782 80th Ave  
Surrey, BC V3W 3A6

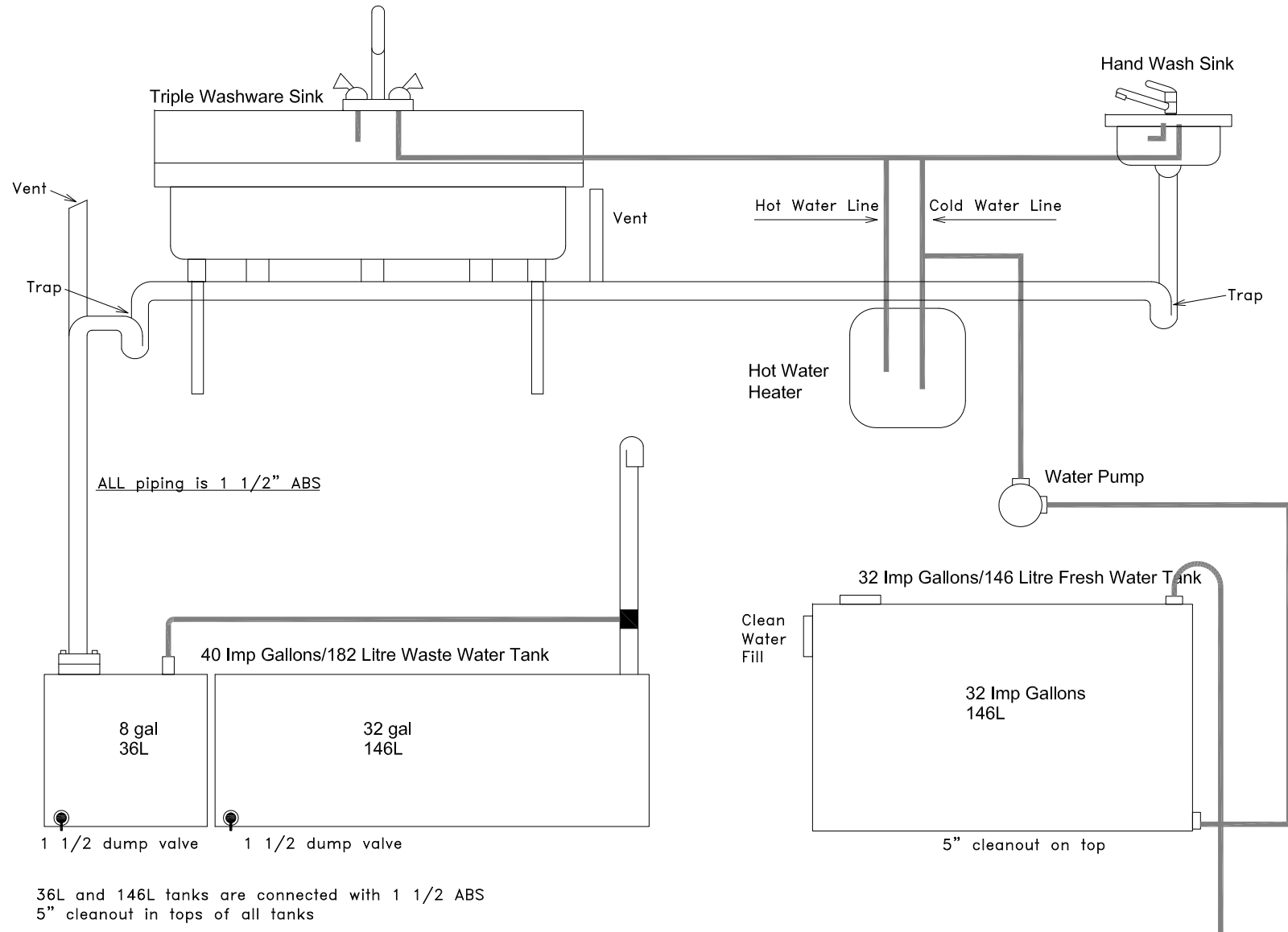
Phone: 778-565-1801  
Fax: 778-565-1802  
norm@apollomanufacturing.ca  
www.apollomanufacturing.ca



APOLLO CUSTOM MANUFACTURING LTD  
12782 80th Ave  
Surrey, BC V3W 3A7  
www.apollomanufacturing.ca  
Telephone 778.565.1801

## Basic Water System Apollo Food Trucks

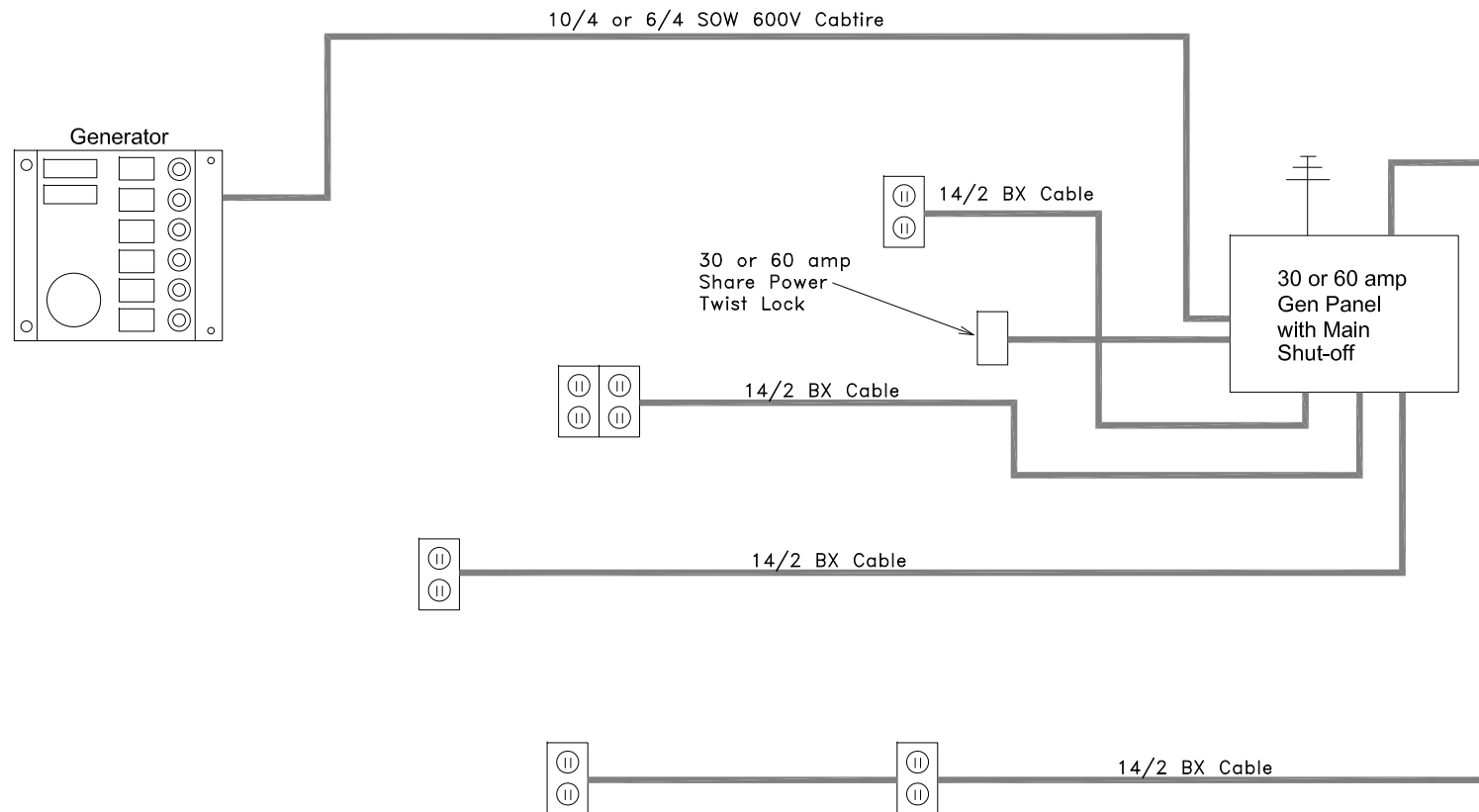
Typical wiring diagram in Apollo Food Trucks & Trailers.  
Please note locations may change depending on equipment.  
This drawing is for basic reference only.





APOLLO CUSTOM MANUFACTURING LTD  
12782 80th Ave  
Surrey, BC V3W 3A7  
www.apollomanufacturing.ca  
Telephone 778.565.1801

Typical wiring diagram in Apollo Food Trucks & Trailers.  
Please note locations may change depending on equipment.  
This drawing is for basic reference only.

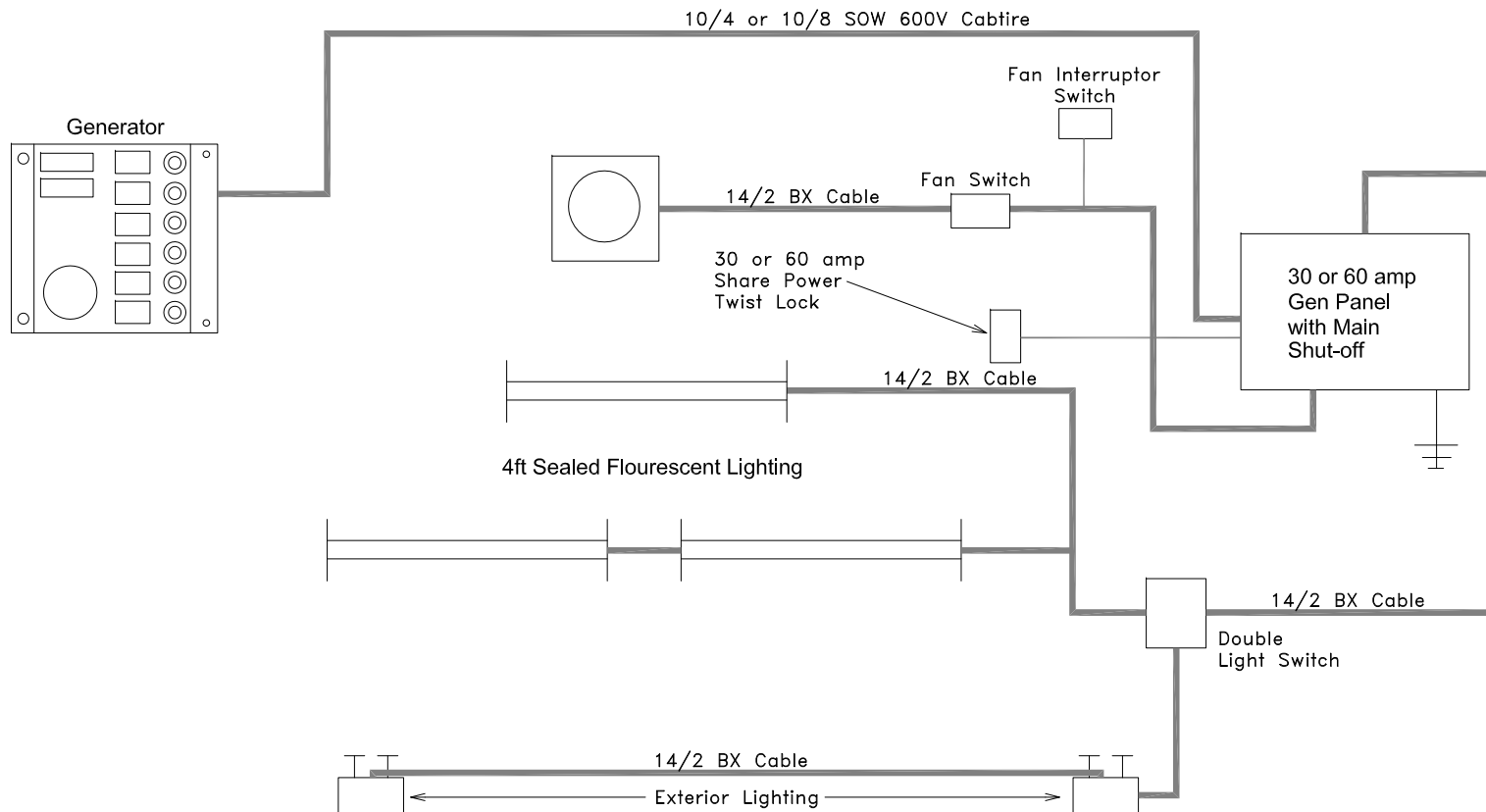


Tested to:  
SPE 1000



APOLLO CUSTOM MANUFACTURING LTD  
12782 80th Ave  
Surrey, BC V3W 3A7  
www.apollomanufacturing.ca  
Telephone 778.565.1801

Typical wiring diagram for Lighting & Fans in Apollo Food Trucks & Trailers.  
Please note locations may change depending on equipment.  
This drawing is for basic reference only.



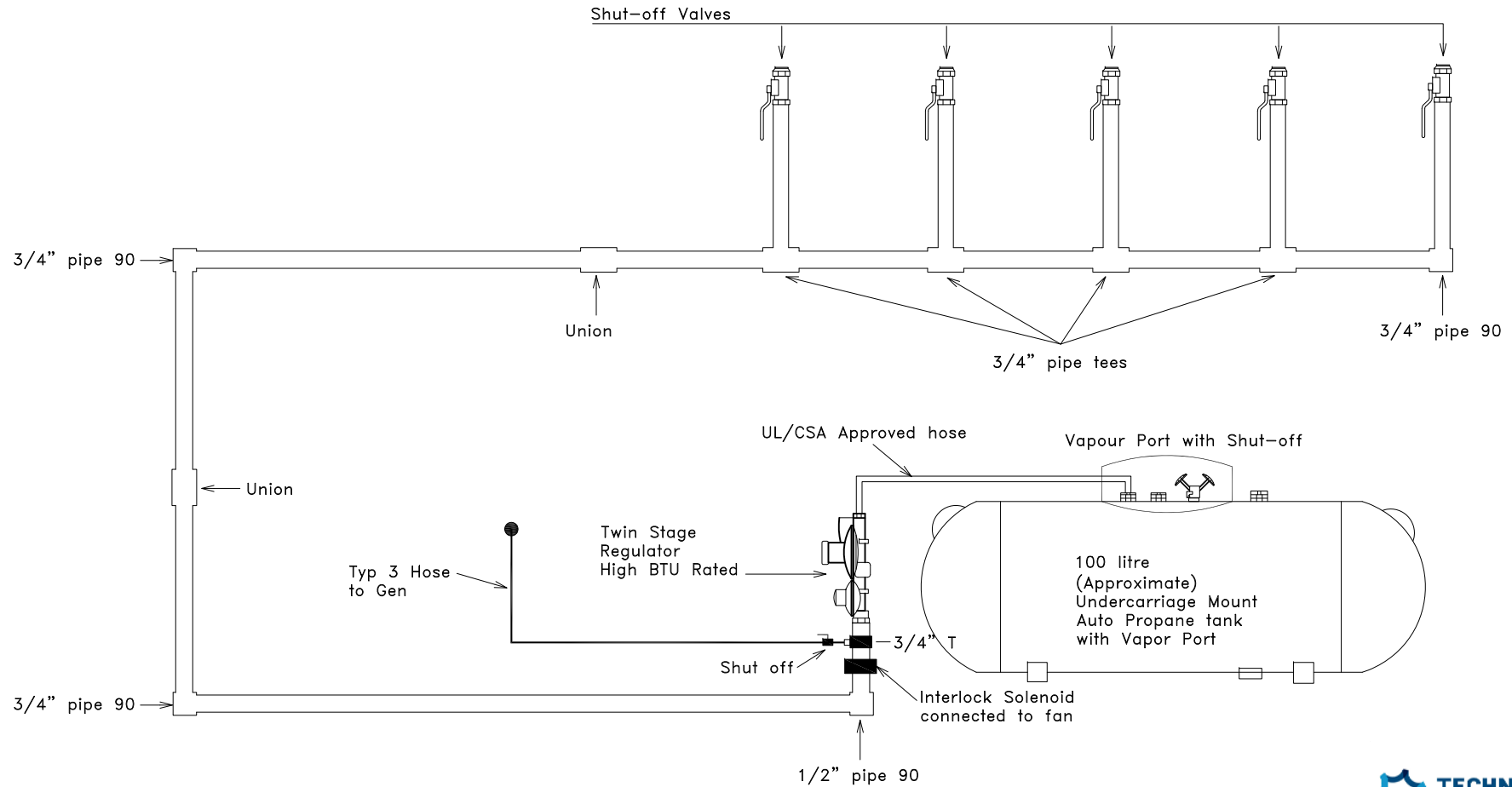
Tested to:  
SPE 1000



APOLLO CUSTOM MANUFACTURING LTD  
12782 80th Ave  
Surrey, BC V3W 3A7  
www.apollomanufacturing.ca  
Telephone 778.565.1801

## Standard Propane System for an Apollo Food Truck

All piping run outside – no interior connections except appliance connection

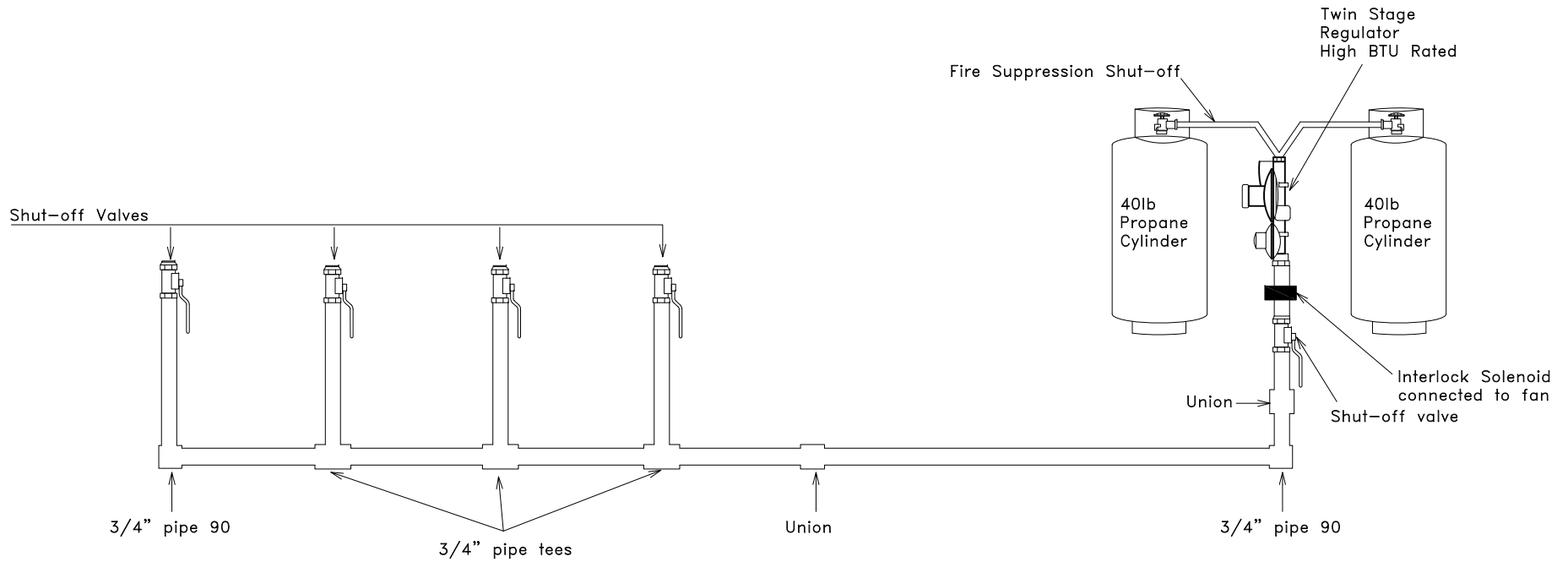


Tested to:  
CSA B149.1-10



APOLLO CUSTOM MANUFACTURING LTD  
12782 80th Ave  
Surrey, BC V3W 3A7  
www.apollomanufacturing.ca  
Telephone 778.565.1801

## Standard Propane System for an Apollo Food Trailer



Tested to:  
CSA B149.1-10